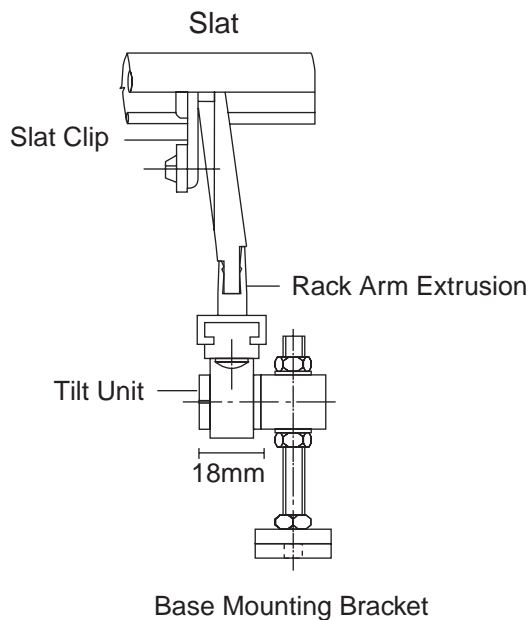


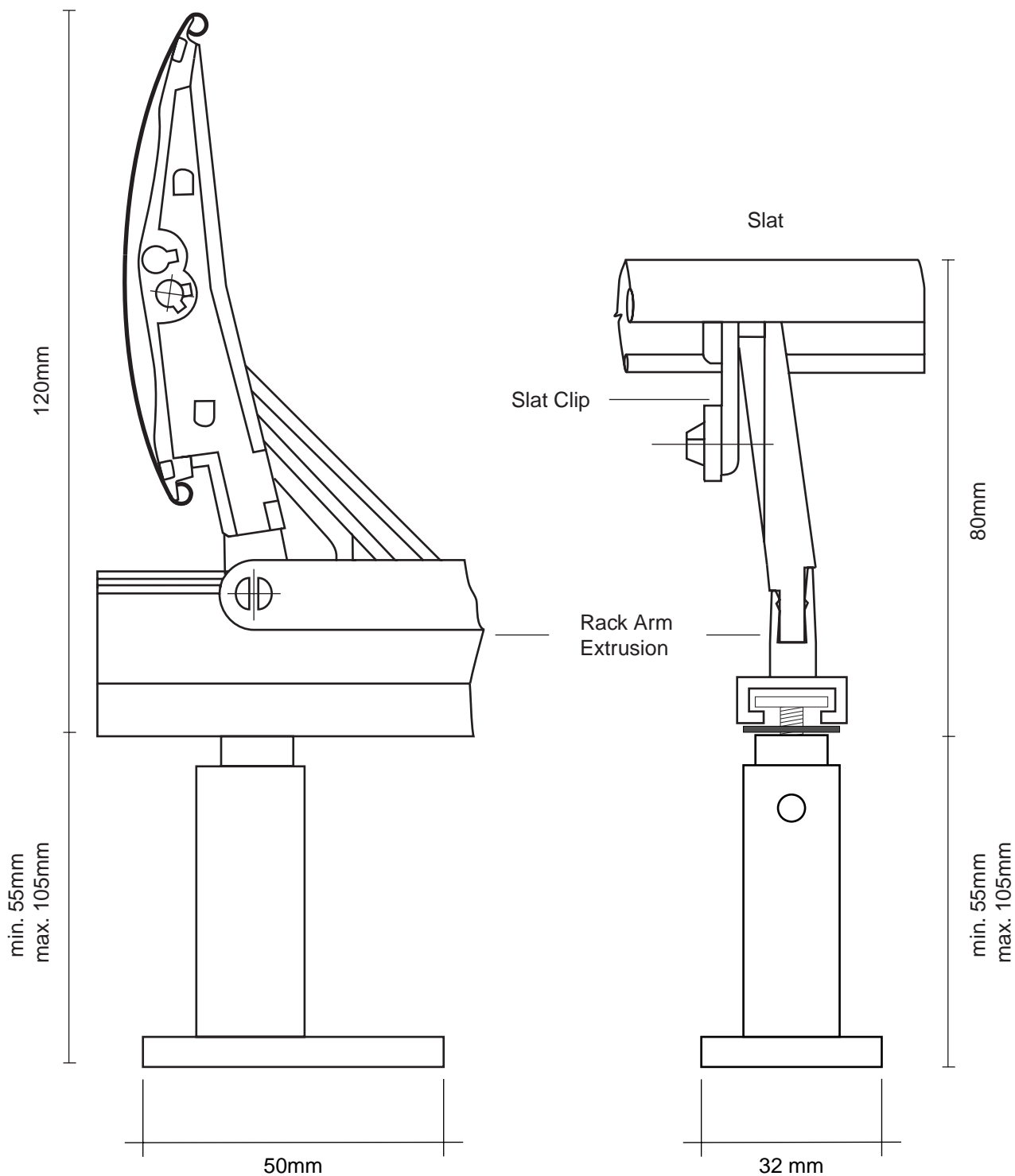
Optional stiffener where  
no intermediate supports  
are available.



**R80 RACK ARM - PLAN & SECTION VIEW**

**Dwg. No. V30101**

Rack arm section & plan views for use with R80 non-retractable louvre blind. Rack arms typically fitted to the window mullions or glazing bars of skylights or asymmetrical windows. Maximum recommended span between rack arms 900mm.



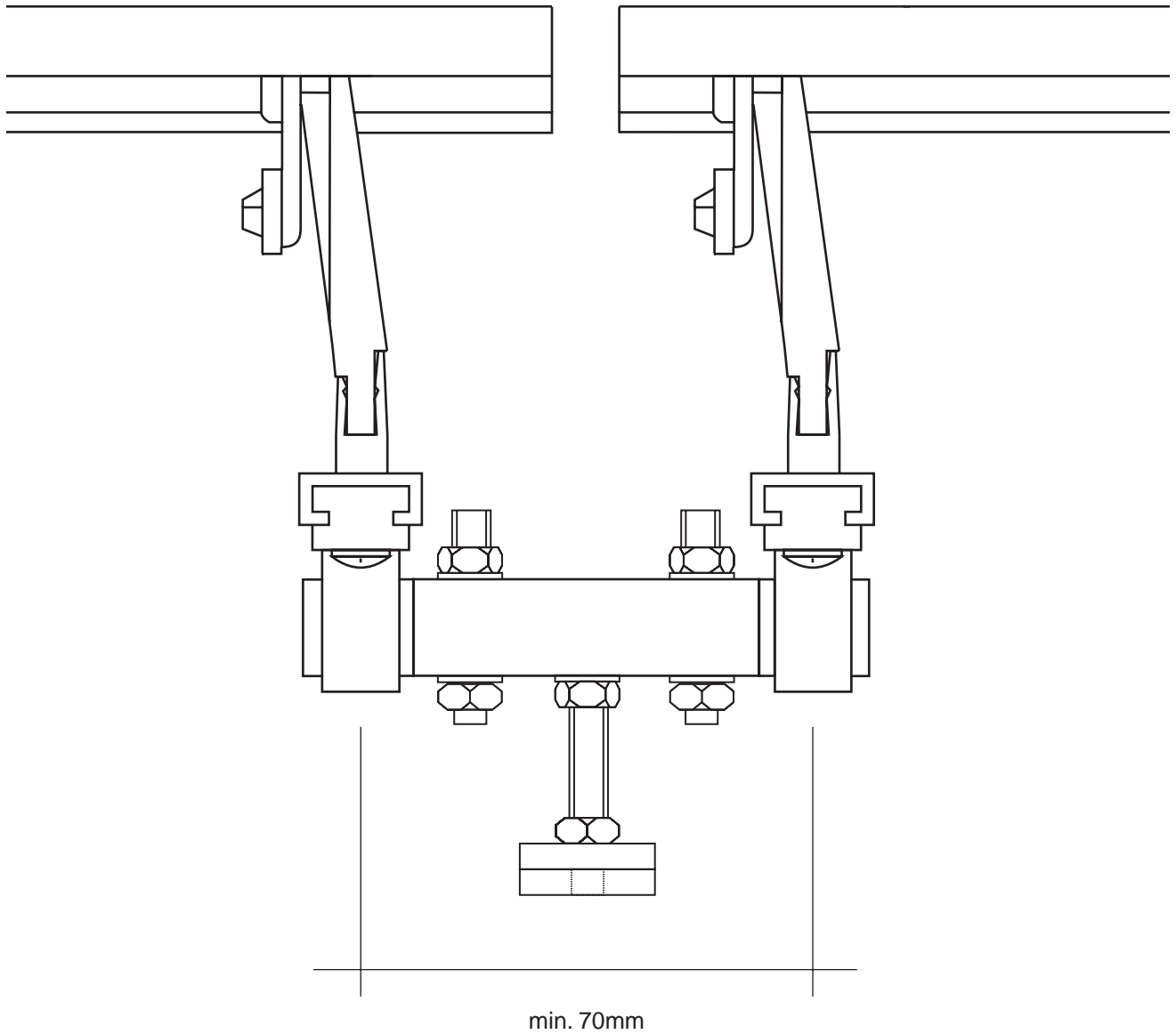
© 1999 Drawings remain the property of Vental Australia Pty. Ltd.



## R80 STANDOFF - PLAN & SECTION VIEW

Dwg. No. V30102

Rack arm section & plan views showing standoff in detail. Rack arms typically fitted to the window mullions or glazing bars by use of the adjustable standoff foot. Maximum recommended span between rack arms 900mm.



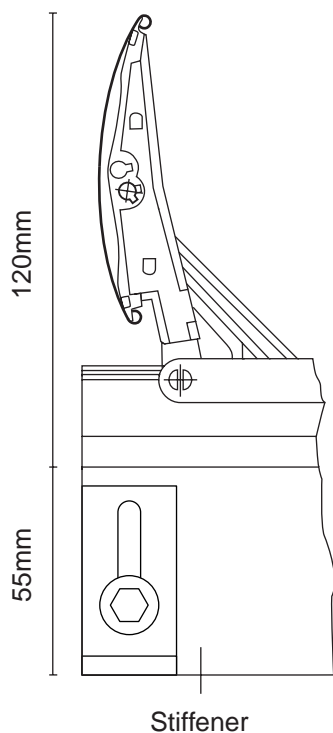
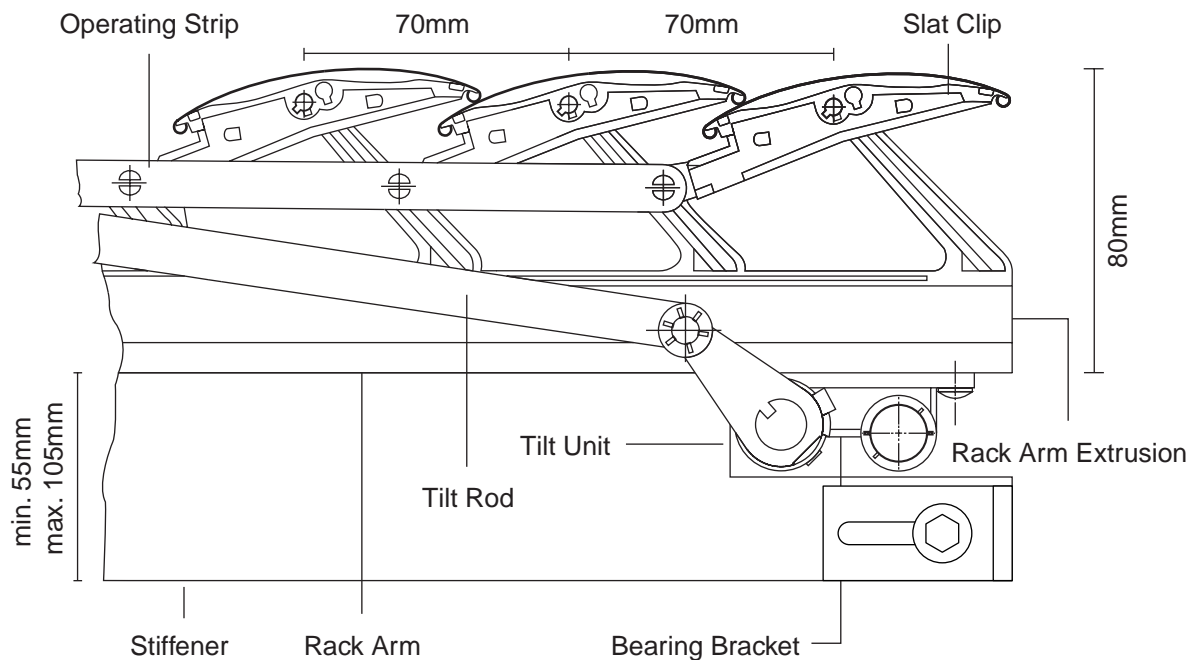
© 1999 Drawings remain the property of Vental Australia Pty. Ltd.



## R80 RACK COUPLING - PLAN VIEW

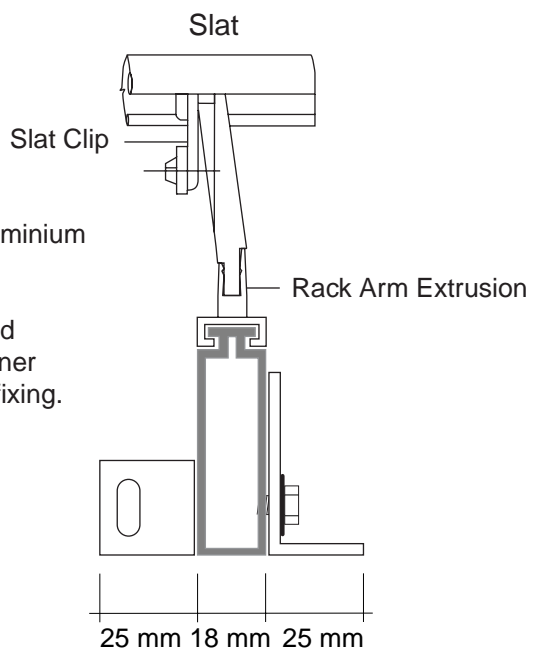
Dwg. No. V30301

Rack arm coupling on a single mullion / glazing bar with double rack arm for blind join & 10mm gap between slat ends. This situation occurs when the opening width exceeds the maximum blind width requiring two or more individual blind units to be fitted side by side. Minimum space between rack arms on join 70mm.



Fixing brackets in aluminium angle 50 x 25 x 3mm

Brackets fitted top and bottom of guide stiffener to provide adequate fixing.



**R80 STIFFENER - PLAN & SECTION VIEW**

**Dwg. No. V30201**

Rack arm fitted to stiffener in section & plan views for use with R80 non-retractable louvre blind. This style of fitting is necessary where rack arms cannot be fitted to the window mullions or glazing bars and need to be self supporting over their entire length. Maximum recommended spacing between rack arms 900mm. Maximum recommended length of stiffener 3000mm.